

CAUTION - READ THIS FIRST!

IT IS CRITICAL THAT CUSTOMERS INSPECT THE SHIPMENT IN THE PRESENCE OF THE FREIGHT DELIVERY DRIVER. IF YOU FAIL TO INSPECT THE SHIPMENT, THE CARRIER AND RunBox-SGS, INC. ARE NOT RESPONSIBLE FOR DAMAGES.



INSPECT EACH PANEL OF GLASS FOR DAMAGES. CHECK PACKING LIST FOR QUANTITIES OF GLASS PANELS AND POWER SUPPLIES.

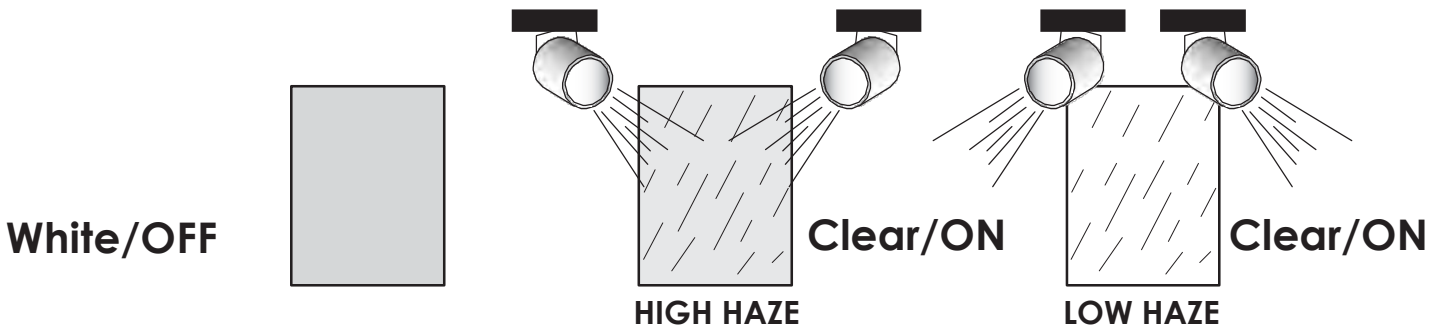
RunBox SWITCHABLE PRIVACY PANELS MUST BE STORED WHERE THE RELATIVE HUMIDITY IS LESS THAN 80% TO PREVENT GLASS FROM STAINING

USE ONLY NON-ACETIC SEALANTS

GE SSG4000
Rhodorsi 3B (Rhone-Poulenc)

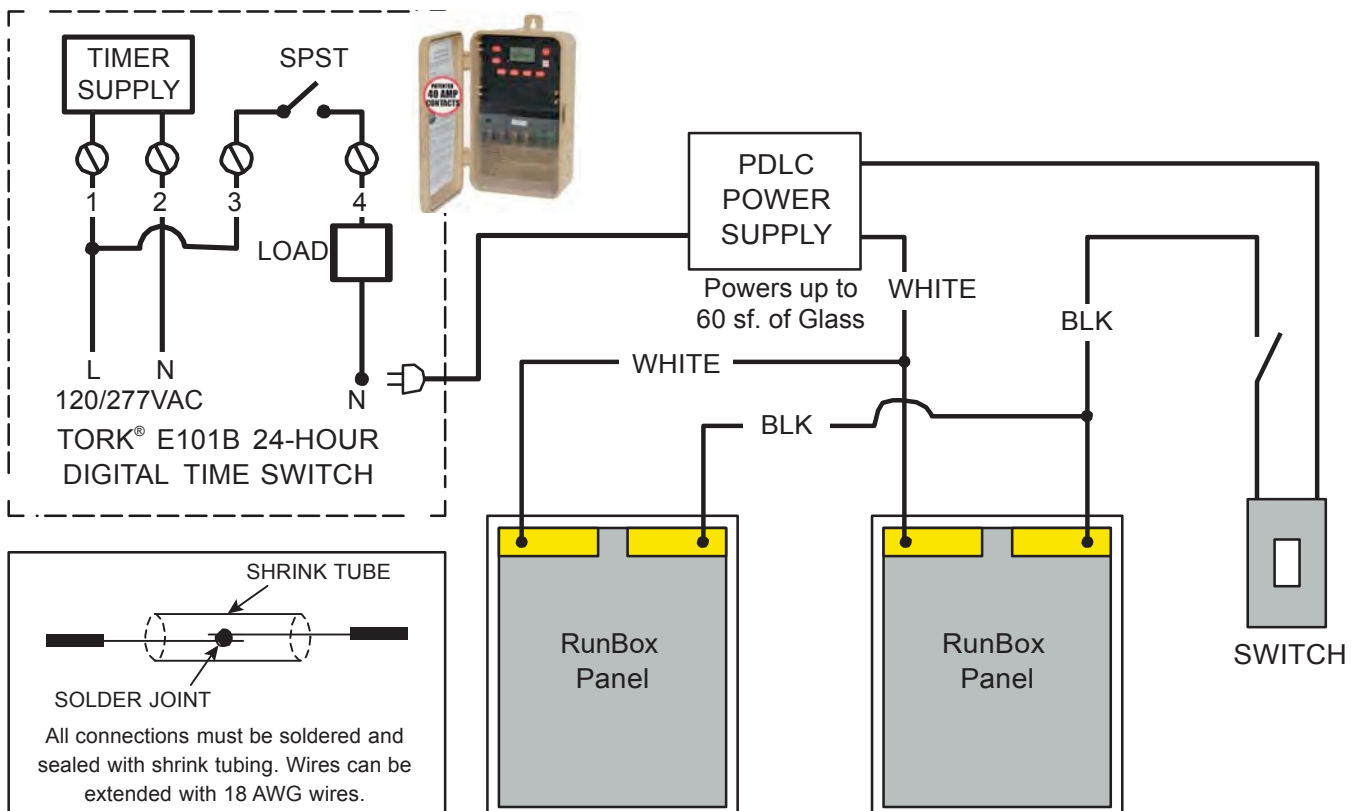
Dow Corning 399, 795, 991, 995, 1199
Schnee-Morehead SM5731

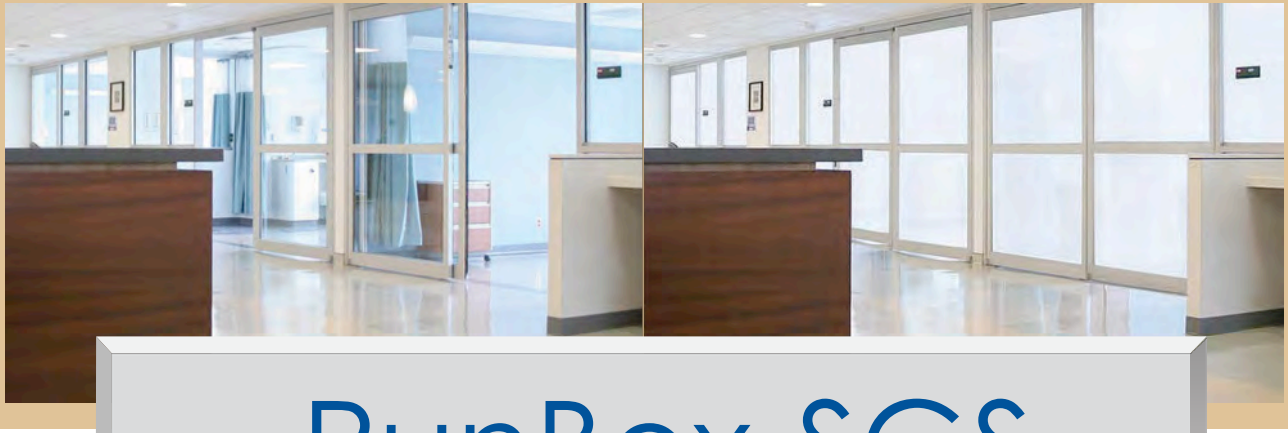
**THIS GLASS MUST BE TURNED OFF
A MINIMUM OF 4 HOURS EVERY 24 HOUR PERIOD**



Timers are REQUIRED for warranty

Diagram below shows wiring (with using the timer or without timer)





RunBox-SGS

Switchable Privacy Glass

1-YEAR LIMITED WARRANTY

RunBox, Inc. provides a 1-year limited warranty against electrical failure and/or delamination in material and workmanship of the privacy glass panel. RunBox, Inc. may select either to replace the panels at no cost or refund all or a prorated portion of the customer cost based on the useful life of the privacy glass panel. The purchaser agrees to assume all financial responsibility for removal of old panels and installation of new ones. RunBox, Inc. is not liable for any labor costs associated with removal or installation of panels.

For warranty to be valid, panels must be in the OFF state (White) for a minimum of 4 hours every 24 hours.

Switching ON and OFF daily is encouraged to ensure that the panels remain functional.



555 West 130th St. Los Angeles, CA 90061
(323) 366-9801
www.runbox-sgs.com

RunBox Sales Order # _____

Keep a copy of this warranty for your records